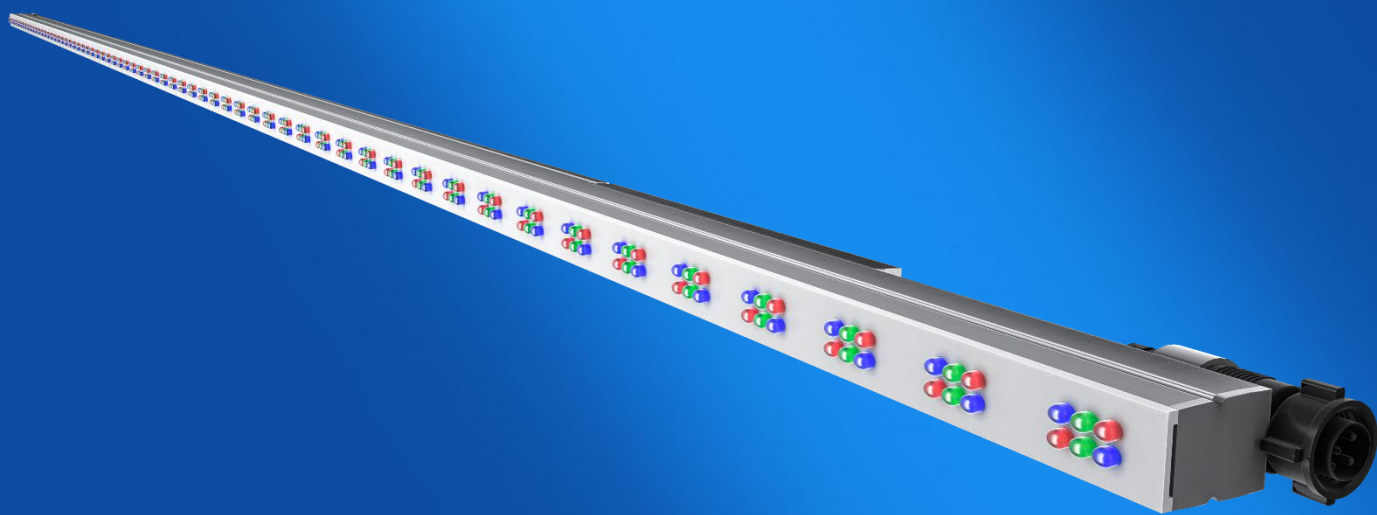
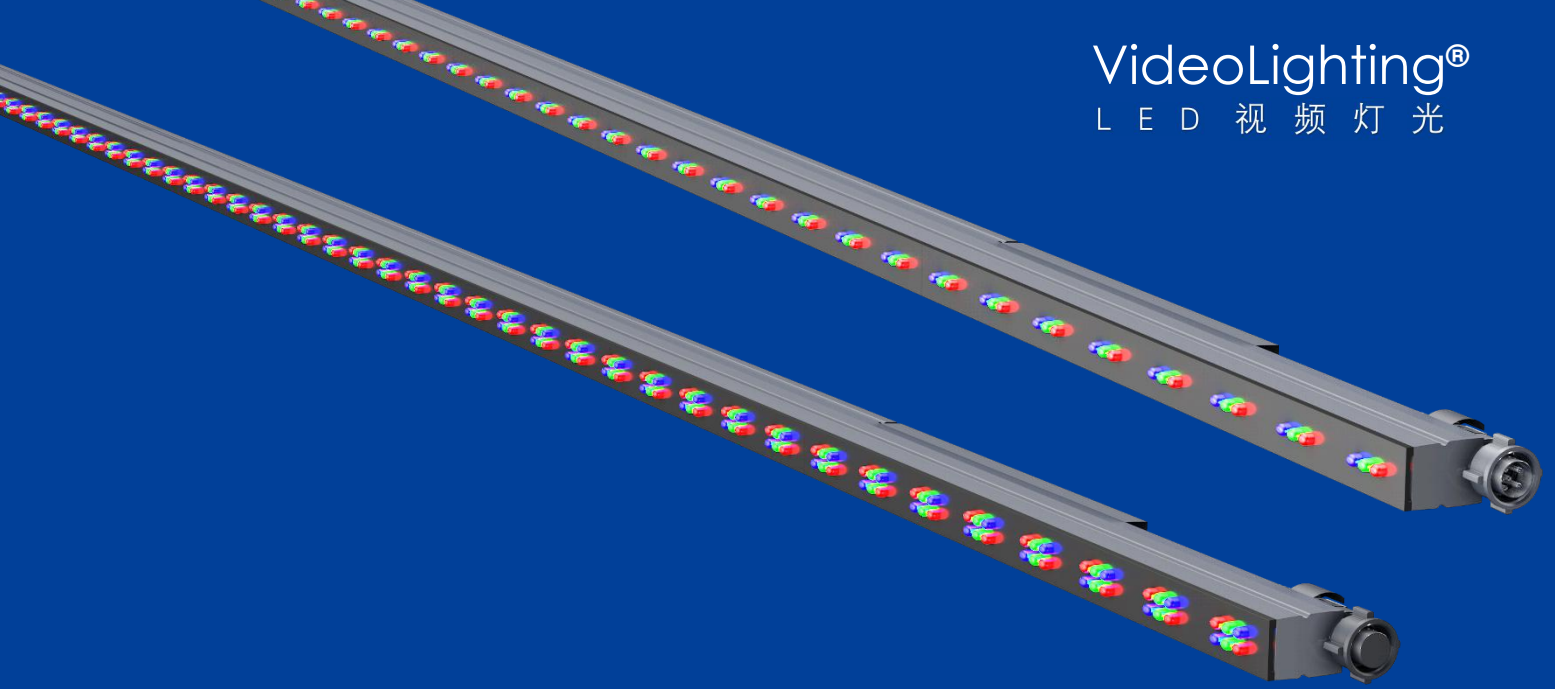


VT SERIES

PRODUCT MANUAL





VIDEO TUBE | VT SERIES | VT-15 |

2021-V1.0

HIGH FRAME RATE

Frame rate 60Hz, fully meet all kinds of video play requirements, the picture is smooth, no stuck.

HIGH GRAY SCALE

RGB 65536(3×16bit)

HIGH COLOR RENDITION

Adopt constant current drive, built-in PWM, RGB color matching strictly in accordance with white balance requirements. Color temperature can be adjusted by software.

LOW BRIGHTNESS HIGH GRAY SCALE

The brightness reduction does not affect the display gray scale, reducing light pollution and energy consumption.

ULTRA-LONG TRANSMISSION

Built-in mini receiving card, the signal of each strip can be independently controlled, one signal can carry up to 3840 pixels.

CIRCUITBACK UP

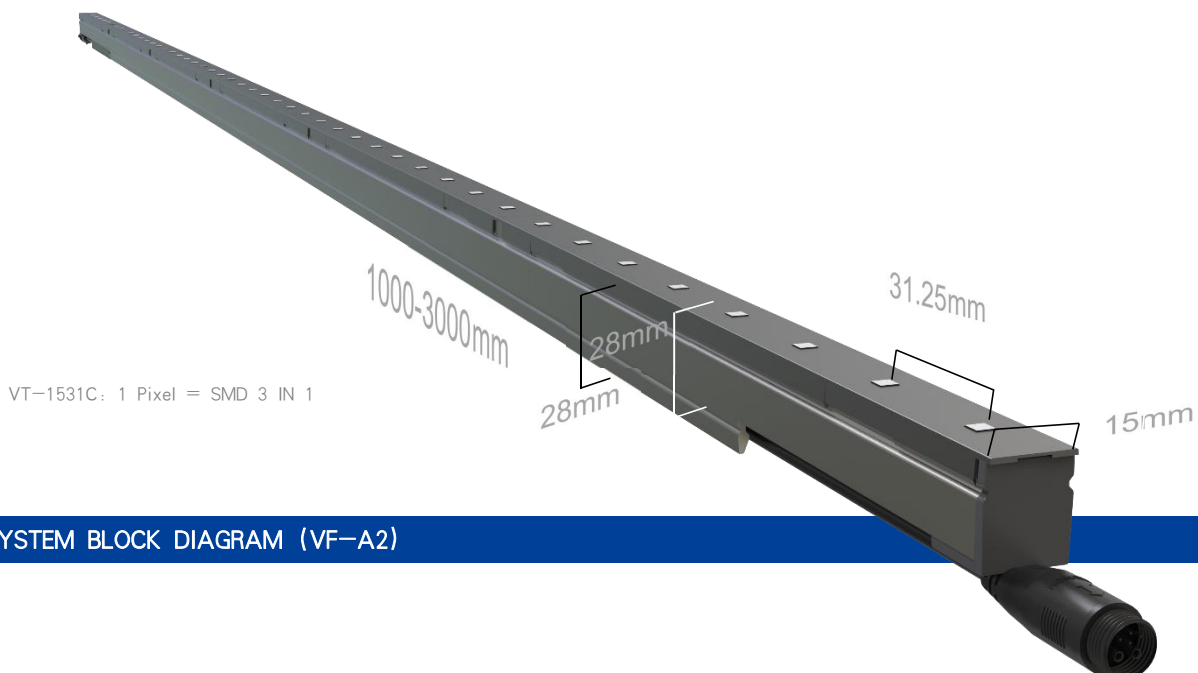
Circuit backup can be added to each channel signal, and backup signal can be switched automatically when the signal is broken.

PRODUCT SPECIFICATIONS

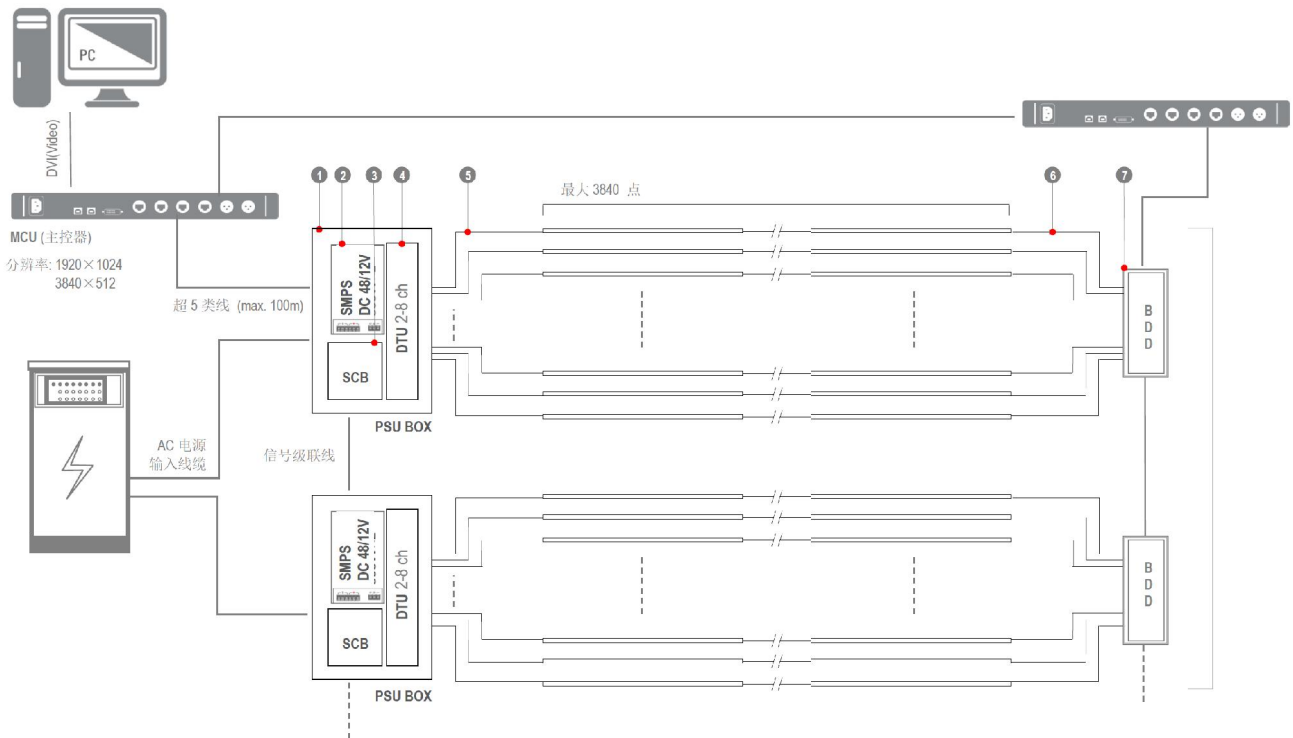
PRODUCT MODEL	VT-1531C
INUT DATA	SDI Data
MATERIAL	AluminumBody & PC Mask(can customize the color)
LED LAMP	SMD3535 (R \geq 900mcd G \geq 1800mcd B \geq 310mcd)
DIMENSIONSOFS TRIP	L: 1000mm-3000mm; W: 15mm; D: 28mm (Length can be customized)
STRIP PERMUTATION	Horizontal Vertical
PIXEL PITCH	Internalof strip: 31.25mm
BRIGHTNESS	2.5 (cd/dot)
DRIVE MODE	Constant Current, PWM
INPUT VOLTAGE	DC48 V
MAXIMUM CONNECTION	Signal: 3840 dot (120m) ,circuitbackup Power: DC48V/10A (\approx 50m)
POWER CONSUMPTION	Max.8-10 w/m ²
WEIGHT	0.55 kg/m ²
PROTECTION	IP67
GRAY SCALE	RGB 32768 colors (3 \times 15bit)
REFRESH RATE	3840 Hz
FRAME RATE	\geq 60 Hz
ENVIROMENTAL	Temperature: -30°Cto +60°C; Humidity: 10%-90%
CONTROL SYSTEM	JV-M JV-C

Parameters will change according to the specific project

PRODUCT APPEARANCE



SYSTEM BLOCK DIAGRAM (VF-A2)



1 PSU

Model Name: VF-A2-0848-3/VF-A2-0848-6
 Component: SMPS, SCB, DTU
 Input Voltage: 100-240VAC Output Data: 2-8 Port SPI Data
 Output Power: 2-8 Port, DC 48V Protection: IP65

2 SMPS

Power Consumption: 3000W/ea
 Output Power: DC 48V

3 SCB

Control Pixels : Max.3840 × 8 pixels (60Hz)

4 DTU

Output Data : 2-8 Port, Power + Data Output Data: Max.3840 pixels
 /port (60Hz)
 Output Power : 48V DC

5 DC/Data input cable

Cable Type: 2 core signal line + 2 core power line
 Length : ≤ 50m

6 Backup Data input cable

Cable Type : 2 core signal line
 Length: ≤ 50m

7 BDD Box (Backup Data)

Model Name: VF-A-BDD02 / VF-A-BDD08
 Component : SCB, DTU
 Output Data: 2-8 Port SPI Data Protection: IP65

The system configuration mode can be adjusted appropriately according to the specific project requirements.

PROJECT CASE



Shanghai International Media Port

Size:56000 m² Time:2019.11 Location:Shanghai,China



Hainan Haihua Island

Size:18500 m² Time:2021.01 Location:Hainan China

Unilumin
洲明文创 | JOYWAY

SHENZHEN UNILUMIN JOYWAY TECH CO., LTD